

AMBIRAD

PT SERIES Radiant Tube Heaters



The PT Series is an energy-saving radiant tube heater designed for industrial and commercial buildings. Available in straight or U-tube configurations, the PT Series offers all the benefits of radiant heating at affordable cost. It is easy to install, requires minimal maintenance and delivers great fuel savings throughout the winter.

Benefits

- Fuel costs reduced by 25%-75%
- Provides even heat distribution
- Can be zone controlled
- Heat where and when it is required
- Frees up valuable floor space
- Greater comfort with lower thermostat settings
- Easy to install and maintain

Features

- IAS Certified
- Burner ratings of 60,000 BTU/h to 225,000 BTU/h
- Burners have direct spark ignition
- Straight or U-tube configuration
- Natural or propane gas
- Angle mounted up to 55°
- Parabolic reflector

Optional Features

- Fresh air intake
- 90° bend package
- Stainless steel tubes and reflectors
- Ambi-Rad black bulb thermostats
- Turbulators and end-caps for increased radiant efficiency

Applications

- Warehouses
- Factories
- Loading dock areas
- Air hangars
- Truck garages
- Farm buildings
- Fire stations
- Sports facilities
- Greenhouses
- Auto service bays

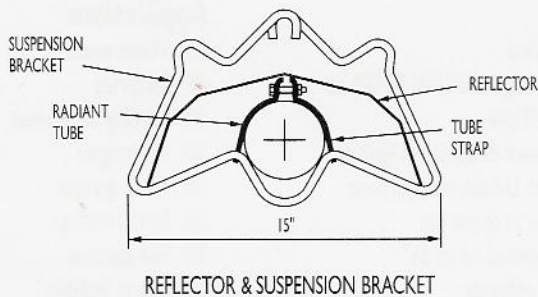
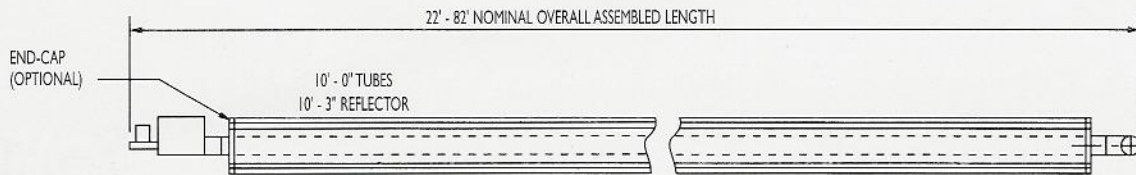
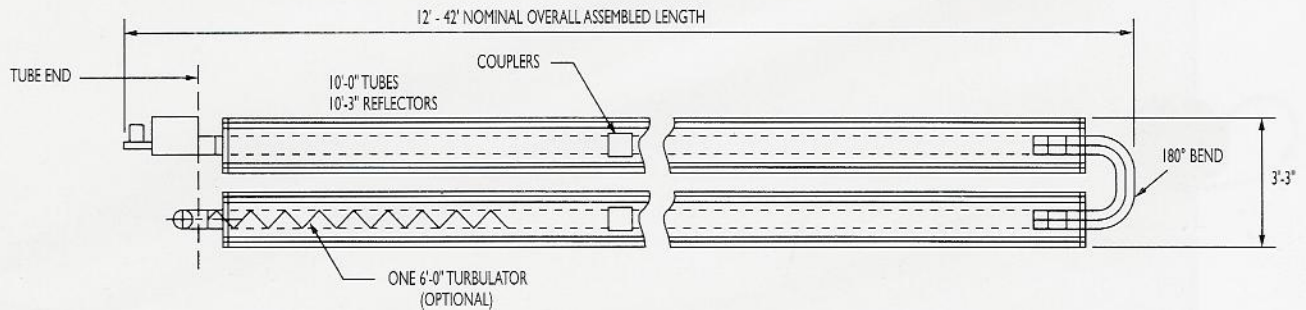
Quality Through Experience

Ambi-Rad radiant heating systems are warming satisfied customers in 35 countries around the world. All Ambi-Rad products are backed by in-housing engineering and technical staff, along with factory representatives, across the country.

SPECIFICATION & TECHNICAL DATA

MODEL No. STRAIGHT / 'U' TUBE	BTU/HR OUTPUT	TOP (in)	BELOW (0 to 55°) (in)	SIDE (in)	MINIMUM MOUNTING HEIGHT (ft.)		LENGTH (ft)	MIN/MAX *WEIGHT (lb)
					Horizontal	Inclined to 55°		
PT 60 / PTU 60	60,000	9	76	29	12	10	20-40	110/199
PT 80 / PTU 80	80,000	9	76	29	12	10	20-40	110/199
PT 100 / PTU 100	100,000	9	83	32	14	12	30-50	153/244
PT 125 / PTU 125	125,000	9	90	37	14	12	40-60	199/289
PT 150 / PTU 150	150,000	9	90	37	16	14	40-70	199/328
PT 175 / PTU 175	175,000	9	96	47	16	14	50-80	244/372
PT 200 / PTU 200	200,000	9	96	47	18	16	50-80	244/372
PT 225 / PTU 225	225,000	9	100	50	18	16	50-80	244/372

*Weight based on minimum and maximum lengths of heater with aluminum reflectors.



GAS SUPPLY CONNECTION	1/2" NPT Male
ELECTRICAL SUPPLY	120V, 1 PHASE, 60HZ
CURRENT RATING	1.4 AMP MAX. Burner-0.5/Fan 0.09
IGNITION	Electronic Program Start up with Spark Ignition

	NATURAL GAS	PROPANE
MAXIMUM INLET W.C.	14"	14.0"
MINIMUM INLET W.C.	5"	11.0"

Ambi-Rad is a registered trademark of AMBI-RAD LTD.

Due to continuous product innovation, AMBI-RAD reserves the right to change product specification without due notice.

AMBI-RAD

ENERGY EFFICIENT HEATING SYSTEMS

For the Distributor Nearest you call

1-888-330-4878



P.O. BOX 617 • FISHERS • IN 46038 • www.ambi-radusa.com • FAX: 317/842-3989